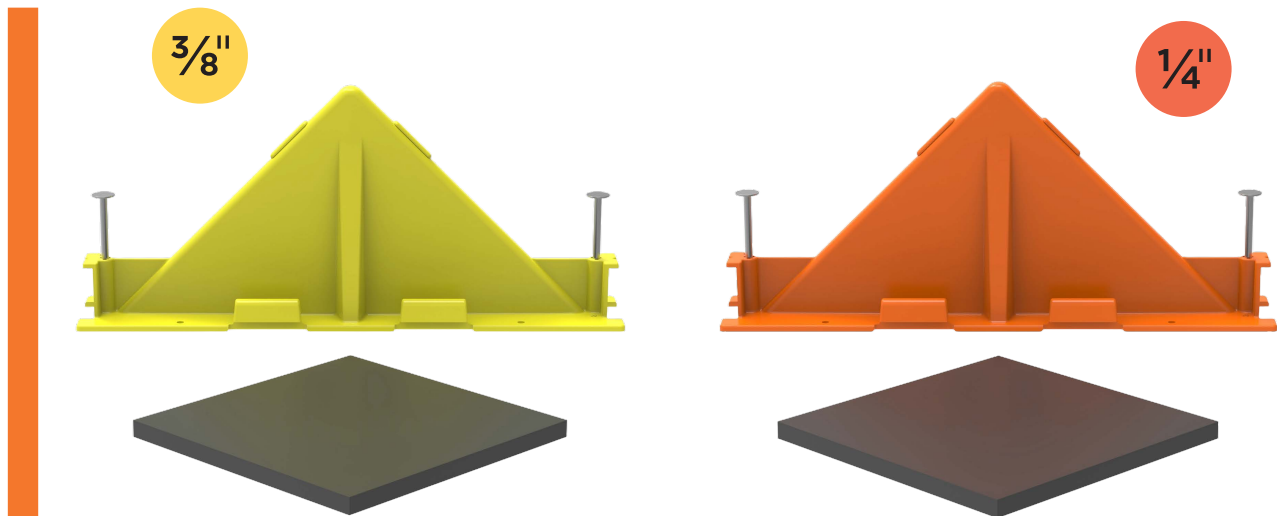




DIAMOND DOWEL® SYSTEM

WITH NEWLY DESIGNED POCKET FORMER

New features minimize installation errors and ensure optimum performance



THE MOST TRUSTED DIAMOND DOWEL SYSTEM, IMPROVED

BETTER RESPONSE TO CONCRETE SHRINKAGE & EXPANSION

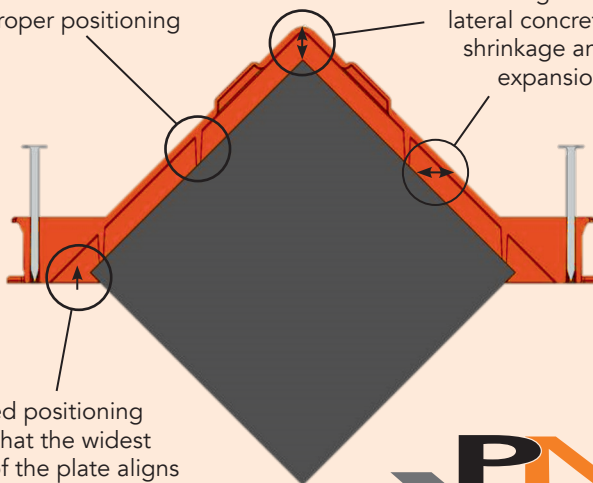
The new pocket former design accounts for movement during the lifecycle of a slab, allowing the system to maximize load transfer efficiency while minimizing the risk of restraint and random cracking.

LESS RISK OF PROBLEMS CAUSED BY INSTALLATION ERRORS

More secure attachment to formwork and better resistance to accidental impact and misalignment minimizes the influence of poor installation methods on the performance of the new Diamond Dowel pocket former.

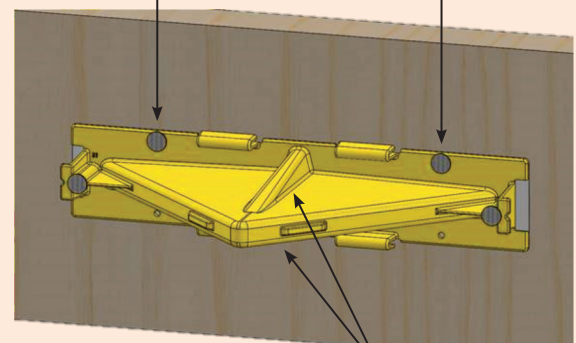
The Diamond Dowel plate is offset in the new pocket former design, with bendable fins to ensure proper positioning

Increased space on the back and sides accommodates greater lateral concrete shrinkage and expansion.



Optimized positioning ensures that the widest section of the plate aligns with the middle of the joint under normal concrete shrinkage

The Diamond Dowel pocket former now includes extra nail holes to better resist bending and misalignment from accidental impact.



Central bracing ribs resist bending, further ensuring proper alignment of dowels and minimizing risk of slab restraint and cracking

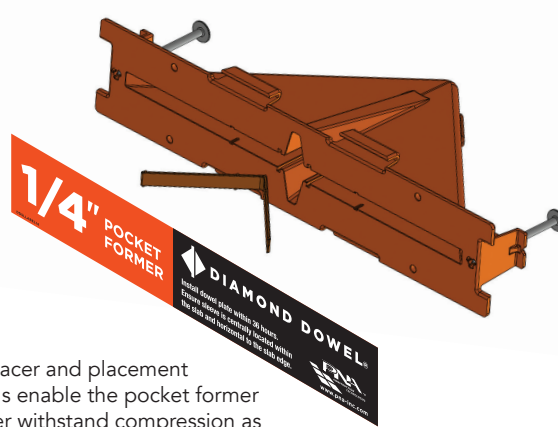




DIAMOND DOWEL® SYSTEM

WITH NEWLY DESIGNED POCKET FORMER

A POCKET FORMER THAT MAXIMIZES CRUSH RESISTANCE DURING CURING



New spacer and placement channels enable the pocket former to better withstand compression as concrete cures and contracts

Contractors and engineers have trusted the original Diamond Dowel® System to stabilize their construction joints since 1997, using it in over 3 billion square feet of concrete flatwork worldwide. PNA's newly designed pocket former enhances the Diamond Dowel System to better tackle real jobsite conditions.

MAXIMIZE CRUSH RESISTANCE

A more robust pocket former structure and a new spacer minimizes the chance of the pocket being crushed as concrete cures, allowing for easier dowel insertion.

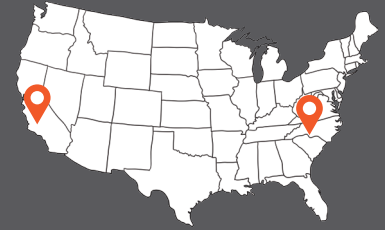
ORDERING INFORMATION

Part #	Description	Pocket Former Design	Color	Min. Order Qty
DD2V250	Diamond Dowel System® v2 – 1/4"	NEW!	Orange	100
DD2V375	Diamond Dowel System® v2 – 3/8"	NEW!	Yellow	100
DD750	Diamond Dowel® System – 3/4"	Original	Green	40

For price quotes, email inquires to csr@pna-inc.com.

To place an order, email your purchase order (PO) to orderspna@pna-inc.com.

To speak with a Customer Service Representative, call 1 (800) 542-0214.



MANUFACTURED IN THE U.S.A.

With a plant on both coasts (Charlotte, NC and Bakersfield, CA) PNA is a short distance to your next jobsite.

THE BEST CHOICE FOR WIDE SLAB DESIGNS

because Optimized positioning ensures the widest section of the plate aligns with the middle of the joint.

Wide slab designs extend joint spacing through the use of:

- Steel or macrosynthetic fibers
- Shrinkage compensating concrete
- Shrinkage reducing admixtures

Designed to better tackle real jobsite conditions



www.pna-inc.com
©2021 Illinois Tool Works, Inc.
PNA-5 rev. 0521